



**OPERATING MANUAL**



**Casa Med Ultra 4**  
**Casa Med Classic 4**  
**Casa Classic Plus**  
with DEWERT<sup>®</sup> drive systems





All **Days Healthcare** nursing beds are manufactured using the most modern technical facilities to ensure the highest lying and operating comfort possible. Furthermore, the construction has been designed placing great value on simple handling and operation.

A large variety of useful accessories rounds off our range of nursing beds.

The nursing beds described in this manual are constructed to the following standards:

DIN EN 60601-2-38 (standard for hospital beds)

DIN EN 1970 - 2000 - 12 Nr. 5.12.1 (standard for nursing beds).

Since the nursing bed motor system has a control system with a clock frequency of > 9 kHz, and is mainly driven by motor for short periods, EN 55014-1 applies in this case in accordance with EN 60601-1-2 36.201.1.4.

This operating manual will help you get to know the function of our nursing beds and, in addition, describes

- assembling the nursing bed
- operating the adjustment controls
- care and maintenance of the nursing bed

Operation and construction of the beds is explained using photographs of the **Casa Med Ultra 4** nursing bed version. If there are differences between this and other bed versions in either operation or construction, the text will draw your attention to this.

The manual has been drawn up using information available at the time of printing with regard to construction and operation of the nursing bed. We reserve the right to make changes due to technical improvements.

If you have any other questions about this nursing bed, please contact your supplier.

<b>1.0</b>	<b>Safety instructions</b> .....	<b>7</b>
1.1	Symbols used .....	7
1.2	Proper use .....	7
1.3	General information .....	8
1.4	Notes on electrical fittings .....	9
1.5	Notes for nursing personnel, attendants and operator .....	9
1.6	Notes on setting up the nursing beds .....	10
1.7	Notes on maintenance and inspection .....	11
<b>2.0</b>	<b>Nursing bed models</b> .....	<b>12</b>
<b>3.0</b>	<b>Extent of delivery</b> .....	<b>13</b>
<b>4.0</b>	<b>Components</b> .....	<b>16</b>
<b>5.0</b>	<b>Fittings: bed frame</b> .....	<b>16</b>
5.1	Bed rails .....	16
5.2	Mattress support .....	17
5.3	Angle adjustment foot section (Rastomat) .....	17
5.4	Bed ends .....	18
<b>6.0</b>	<b>Fittings: Electrics</b> .....	<b>18</b>
6.1	Lift motor .....	18
6.2	Hand set .....	18
6.2.1	Hand set locking function .....	18
6.3	Mattress support motor .....	19
6.4	Control unit .....	19
<b>7.0</b>	<b>Setting up the nursing bed</b> .....	<b>20</b>
7.1	Location selection and space requirements .....	20
7.2	Preparation - only when supplied with transport and storage system .....	21
7.3	Connecting the mattress support head and foot section .....	21
7.4	Fixing the bed ends .....	22
7.5	Connecting the lift motor, hand set mattress support motor and accumulator box .....	23
7.6	Inserting the mattress support motor with control unit .....	25
7.7	Assembly of accumulator box to the nursing bed (only nursing beds with Trendelenburg's position) .....	26
7.8	Inserting the mattress support motor for foot section adjustment (4-section mattress supports) .....	27
7.9	Routing and fixing the control unit mains cable .....	28
7.10	Routing the electrical element cables .....	29
7.11	Routing the hand set cable .....	30
7.12	Carrying out a performance test .....	30
7.13	Installing the bed rails .....	31

7.14	Installing the raising mechanism .....	32
<b>8.0</b>	<b>Safety devices .....</b>	<b>33</b>
8.1	Control unit .....	33
8.2	Accumulator box (only nursing beds with Trendelenburg's position) .....	33
8.2.1	General information .....	33
8.2.2	Charging the accumulator box .....	34
8.2.3	Storage of the accumulator box .....	34
8.3	Headrest adjustment emergency unlocking .....	35
<b>9.0</b>	<b>Operating the nursing bed .....</b>	<b>36</b>
9.1	General notes on operation - 3-section mattress support .....	36
9.2	General notes on operation - 4-section mattress support .....	37
9.3	Plugging in the mains cable .....	37
9.4	Raising or lowering the bed rails .....	38
9.5	Operating the nursing bed adjustments .....	39
9.5.1	Locking/unlocking the hand set .....	38
9.5.2	Operating the nursing bed adjustments - hand set .....	40
9.5.3	Hand set with Trendelenburg's position .....	41
9.6	Adjusting the foot section (Rastomat) .....	42
9.7	Operating the brakes .....	43
9.8	Pushing the nursing bed and patient transport .....	44
9.9	Adjusting the slatted frame springiness .....	45
<b>10.0</b>	<b>Patient-related safety measures and adjustments made by nursing personnel .....</b>	<b>46</b>
10.1	Limits of use .....	46
10.2	Gap dimensions and bed rail spacing .....	46
10.3	Locking the nursing bed adjustments .....	47
<b>11.0</b>	<b>Cleaning .....</b>	<b>47</b>
<b>12.0</b>	<b>Testing plan for nursing beds .....</b>	<b>48</b>
12.1	Daily checks .....	48
12.2	6-monthly inspection - check control unit .....	48
12.3	Testing intervals .....	49
12.4	Inspection of mechanical components .....	50
12.5	Inspection of electrical components .....	52
12.6	Measurements .....	53
<b>13.0</b>	<b>Troubleshooting .....</b>	<b>54</b>
<b>14.0</b>	<b>Storage of the nursing bed with the transport and storage system (TLSU) .....</b>	<b>55</b>
14.1	Dismantling the nursing bed .....	55

14.2	Placing the components in the transport and storage system (TLSU) .....	59
<b>15.0</b>	<b>Disposal .....</b>	<b>60</b>
<b>16.0</b>	<b>Appendix .....</b>	<b>61</b>
16.1	Specifications: nursing bed .....	61
16.2	Specifications: Drive system .....	62
16.3	Nursing bed labelling .....	62
16.3.1	Nameplate .....	62
16.3.2	Raising mechanism component sign .....	63
16.4	Accessories .....	63
16.5	Spare parts .....	63
<b>17.0</b>	<b>Warranty .....</b>	<b>63</b>

## 1.0 Safety instructions

### 1.1 Symbols used

This instruction manual contains the following symbols which are used to highlight special hazards in dealing with the nursing bed or information for simplifying handling of the nursing bed.



#### **Caution!**

This symbol identifies safety information which notifies you of hazards when dealing with the product



#### **NOTE**

You will also find information about dealing with the product under this symbol.

### 1.2 Proper use

**Days Healthcare** nursing beds are intended for continuous use instead of household beds. They are intended for use in alleviation or compensation of a handicap or inability and for making the working conditions of nursing personnel easier.

**Days Healthcare** nursing beds can also be used for the diagnosis, treatment or observation of patients under medical supervision/ instructions in accordance with DIN EN 60601-2-38 in the home care or in the nursing home sectors (or similar institutions and).

**Days Healthcare nursing beds are only approved for use by persons of over 12 years of age due to their complexity.**

The nursing beds are intended for use in:

- home nursing
- nursing home and rehabilitation institutions

## 1.3 General information

**Before assembling or using the nursing bed, please read this operating manual carefully through!**

Ensure that:

- the complete operating manual is read by all persons entrusted with the setting up, operation or maintenance of the nursing bed.
- all persons entrusted with the setting up, operation or maintenance of the nursing bed have access to this operating manual at all times.

Any damages resulting from nonobservance of this operating manual are excluded from the guarantee.



### Limitations of use!

- *Patients taller than 195 cm (6'-5") should not use this nursing bed.*  
N.b. An extended bed frame to suit patients up to 219 cm (7'-1") is available from **Days Healthcare**.



### Accident hazard!

- *Always check that the cabling is in perfect working order and that the tension protection is functioning before use.*
- *Only use the nursing bed for its proper intended use.*
- *Maximum safe working load = see technical specification*
- *Only use this nursing bed when it is in perfect working order.*
- *Always lower the nursing bed to its lowest height when not under supervision.*
- *It is imperative that you always rectify any faults which could influence the function and safety of the nursing bed immediately.*
- *Always secure the nursing bed against rolling by engaging the wheel brakes when unattended!*
- *Always use all of the wheel brakes on the nursing bed.*
- *Only use accessories approved by **Days Healthcare**.*

## 1.4 Notes on electrical fittings



### Risk of short-circuit and fire!

- Always ensure that the mains cable cannot be run over when moving the nursing bed or bedside tables, or by cleaning and lifting equipment such as hoists.
- Always check the cabling for correct positioning before use, jamming or kinking of the cable must be avoided.
- Always remove the mains plug before long periods of non-use.

## 1.5 Notes for nursing personnel, attendants and operator



### Accident hazard!

- Do not carry out any medical electrical applications in which the patient is connected intravascularly or intracardially with the medical device whilst the patient is in the nursing bed.
- Do not use the nursing bed in the vicinity of strong electromagnetic fields (for example major medical equipment).
- Always plug the nursing bed mains plug into a separate wall socket.
- Route the mains cable to the power supply socket so that no mechanical tension results, and so that it cannot be crushed, bent or run over.
- Please observe the appropriate equipment operating and installation instructions with regard to any additional safety risks that may arise when combining the nursing care bed with other equipment.  
Should you have any questions in this respect, please contact your orthopaedic and sanitary supplier or **Days Healthcare** directly.



### Danger to life and injury hazard through crushing!

- When carrying out adjustments, observe the patient in the bed and the bed's surroundings.
- If the patient is underweight, ensure that the patient cannot slip down between the mattress and bed rails.
- If the patient is underweight, always use the bed rail protectors supplied by **Days Healthcare**.
- Always ensure that the bed rails are locked in properly.



## **Possible danger through altering patient's position!**

- *Always lock all hand set adjustment functions on the hand set which could cause danger to the patient's health if adjusted (consult doctor).*
- *Always take into account the patient's condition before locking the adjustment options*



## **Accident hazard due to falling out!**

- *Always move the nursing bed to the lowest height when unsupervised or for entering or exiting the bed.*



## **Risk of short-circuit and fire!**

- *Before moving the nursing bed, unplug the mains cable and ensure that the mains cable cannot be run over.*
- *The nursing bed may not be used in surroundings in which it is possible that flammable gases or vapours (e.g. from anaesthetics) are present.*



## **Danger due to actuator motor overheating!**

- *Before adjusting the bed height, ensure that nothing is blocking the full adjustment movement.*
- *Avoid using the actuator motors for more than two minutes. Maximum continuous operation of actuator motors = 2 minutes. Minimum pause after 2 minutes operation = 18 minutes.*
- *Never use more than two actuator motors simultaneously.*

## **1.6 Notes on setting up the nursing beds**



### **Injury hazard due to improper assembly!**

- *Ensure that all components in the nursing bed have been correctly assembled.*
- *Check that all adjustment options are in perfect working order after assembly.*



### **Accident hazard!**

- *Only carry out assembly work using suitable tools.*
- *Only carry out assembly work if you are a competent person who is used to working with the tools required.*

**Trapping hazard!**

There is a possible danger of trapping at all joints on the nursing bed and at support points for the mattress support. All hazard points on the nursing bed are identified by this symbol.

- *If the mattress support has been folded up, secure it against unintentional unfolding by suitable methods.*

**Always carry out a performance test after any assembly work!**

## 1.7 Notes on maintenance and inspection

All inspection work must only be carried out by competent engineers, capable of evaluating the condition status and recognising any possible effects and hazards, due to their specialist training, knowledge and experience in addition to knowledge of all relevant regulations. Always read the relevant chapters thoroughly before carrying out maintenance work.

Any damages resulting from nonobservance of this manual are excluded from any guarantee of liability.

**Always carry out a performance test after maintenance work and inspections!**

- *When operating the adjustment motors, ensure that the nursing bed cabling cannot be crushed or overstretched.*

**Hazards due to electrical and mechanical faults!**

- *Always remove faulty nursing beds from operation and secure them against unauthorised use (remove mains plug).*
- *Only use original spare parts supplied by **Days Healthcare**.*
- *Always carry out the prescribed maintenance work at the intervals stated.*
- *Do not carry out any alterations to the electrical or mechanical fittings supplied with the bed unless authorised to do so by the manufacturer. Any manufacturer's guarantee liability is voided by unauthorised alterations.*
- *Only carry out maintenance and repair work with suitable tools.*
- *Do not open electrical components.*

**2.0 Nursing bed models**



**Casa Med Ultra 4**



**Casa Med Classic 4**



**Casa Classic Plus**

### 3.0 Extent of delivery

All components are packed in cartons in accordance with your order, and packed as a group on a transport pallet or bound up using transport and storage systems to form one transport unit.

Before commencing assembly of the nursing bed, check the package contents against the list supplied.

Small parts and fixings are included in the delivery depending on the nursing bed version and are not shown in detail.

If any faults are apparent or components are missing, please contact **Days Healthcare** or your supplier.



**Transport and storage system (TLSU)**



#### **Mattress support**

Contents: 1 x (1) Mattress support, head section  
1 x (2) Mattress support, foot section

Version: depending on the nursing bed, 3-section or 4-section separation of mattress support.

#### **Mattress support**



#### **3-section separation**



#### **4-section separation**



### Bed ends

Contents depending on bed version:

2 x (1) model **Casa Med Ultra 4**

2 x (2) model **Casa Med Classic 4**

2 x (3) model **Casa Classic Plus**



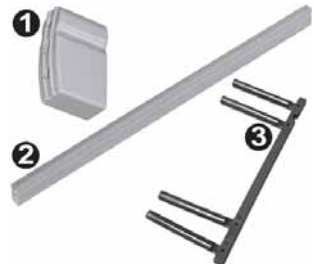
### bed rails

8 x (1) plastic cap for bed rails

4 x (2) bed rail panels

4 x (3) slider for bed rails

### Bed rails



### Electrical elements

1 x (1) Mattress support motor with control unit and mains cable

2 x (2) Dummy plugs for non-used jack sockets

1 x (3) tension protection for control unit socket strip

### Electrical elements



**only for 4-section mattress support:**

1 x (4) mattress support motor



### Depending on nursing bed version:

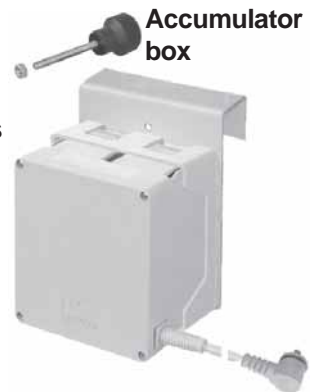
- 1 x (5) Hand set, **without** pushbutton for Trendelenburg's position
- 1 x (6) Hand set, **with** pushbutton for Trendelenburg's position
- 2 x (7) Magnetic key for locking switch

### Hand set



### only for nursing beds with Trendelenburg's position:

- 1 x rechargeable battery (Accumulator box) with metal support and fixing screw



### Raising mechanism

- 1 x raising mechanism with strap and handhold

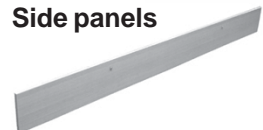
### Raising mechanism



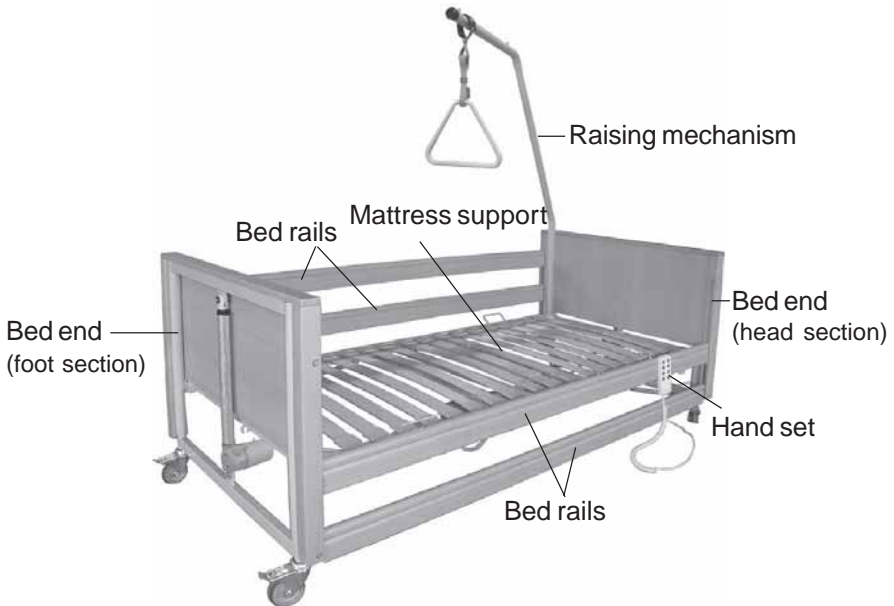
### side panels

- 2 x side panels for the **Casa Classic Plus**

### Side panels



## 4.0 Components



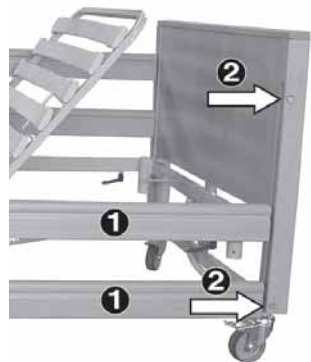
## 5.0 Fittings: bed frame

### 5.1 Bed rails

The bed rails (1) are fixed to the head end and foot end on the bed using plastic sliders.

Both the upper lock for lowering and the lower lock for removing the bed rails can be unlocked using the fastening knob (2).

bed rails



### 5.2 Mattress support

The mattress support is separated into 3 or 4 sections depending on the nursing bed version. The wooden slats can be wiped clean, and are fixed to the frame with plastic fixings.

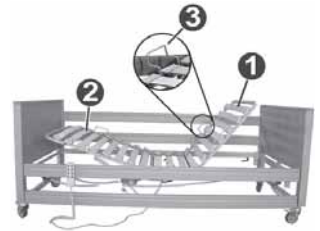
The mattress is fixed securely to the mattress support using four mattress fixings (3).

#### 3-section separation of mattress support:

Head section (2) can be electrically adjusted by 70°.

Adjustment of the foot section (3) takes place using an automatic catch (see chapter 5.3).

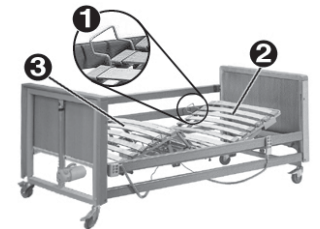
#### Mattress support 3-section separation



#### 4-section separation

#### 4-section separation of mattress support:

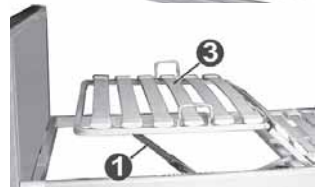
The head section (2) can be electrically adjusted up to 70°, the foot section (3) up to 20°.



### 5.3 Angle adjustment foot section (Rastomat)

The automatic catch (1) mounted at the foot end of the mattress support enables incremental adjustment of the foot section (2) of the 3-section mattress support or the lower leg adjustment (3) of the 4-section mattress support.

#### Rastomat



### 5.4 Bed ends

The bed ends are fitted with a lift motor (1) and two castors (2).

The castors are provided with brakes. The brakes lock both rolling and swiveling movements.

Bed end



## 6.0 Fittings: Electrics

### 6.1 Lift motor

The lift motor (1) is mounted directly on the nursing bed head section or foot section. The motor lift movement is 40 cm. This enables the nursing bed lying area to be raised from 40 cm to 80 cm.

Lift motor



### 6.2 Hand set

The hand set is used to operate all nursing bed actuator motors. Operation takes place using the keypad on the front side of the hand set.

The fixing bracket on the rear of the hand set can be used to hold it in an easily reachable position on the nursing bed.

Hand set



#### 6.2.1 Hand set locking function

The hand set is fitted with an electronic key locking device. It secures the nursing bed against unauthorised use.

The locking device is switched on and off using the magnetic key supplied.



### 6.3 Mattress support motor

The nursing bed with 3-section mattress support is fitted with one, and the nursing bed with 4-section mattress support is fitted with two mattress support motors. They are fitted under the mattress support. One of the motors is used for adjusting the head section, and one for adjusting the foot section of the mattress support.

Mattress support motor



### 6.4 Control unit

The control unit (1) mounted under the mattress support is fitted with a first-error-proof electronics unit. This prevents undesirable functional sequences due to first component defects. This is implemented as a splashproofed housing. The mains cable in its strengthened version is fitted with a push-on anti-kink device and tension protection.

Mattress support motor with control unit



## 7.0 Setting up the nursing bed

Before commencing assembly of the nursing bed, check the package contents against chapter 3.0 „Extent of delivery“.

If any faults are apparent or components are missing, please contact **Days Healthcare** or your supplier.



### Trapping hazard!

There is a possible danger of trapping at all joints on the nursing bed and at support points for the mattress support.

- *If the mattress support has been folded up, secure it against unintentional unfolding by suitable methods.*



### Injury hazard due to improper assembly!

- *Ensure that all components in the nursing bed have been correctly assembled.*
- *Check that all adjustment options are in perfect working order after assembly.*



### Accident hazard!

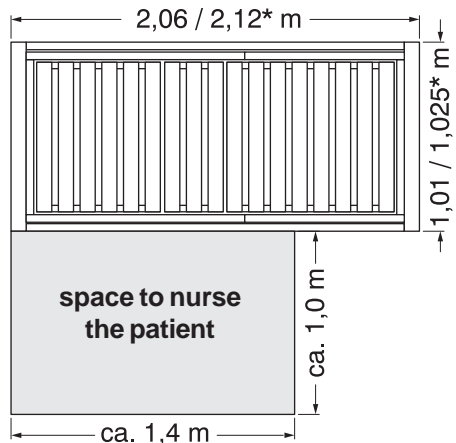
- *Only carry out assembly work using suitable tools.*
- *Only carry out assembly work if you are used to working with the tools required.*

## 7.1 Location selection and space requirements

When selecting the bed's location, ensure that:

- there is enough space to nurse the patient in the bed on at least one of the bed's sides.
- there must be a mains socket near the location in an easily reachable position.

The illustration shows you the required dimensions for setting up the nursing bed and the space around it.



\* Dimensions for CASA CLassic Plus

### 7.2 Preparation - only when supplied with transport and storage system

- Pull the raising mechanism out of the mounting tube (1) in the transport and storage system.
- Remove all cartons from the transport and storage system.



#### NOTE

You should retain all cartons if possible for storage of the nursing bed at a later date.

- Loosen all safety screws (a) and remove both bed sections (2) from the transport and storage system.



### 7.3 Connecting the mattress support head and foot section

- Push the foot section (1) with the guides into the head section frame (2) as far as the stop.
- Secure the mattress support tube connections by screwing in and tightening the tommy screws (3).

#### Connecting the mattress support



### 7.4 Fixing the bed ends

- Loosen the safety screws (b) and remove the bed end with the transport and storage system nameplate.



**NOTE:**

Lock the brakes on the castors (see chapter 9.7) on the remaining fronts and place these against a wall before you separate the bed ends.



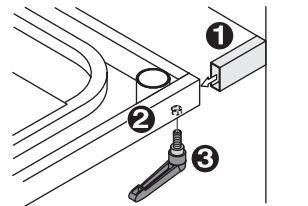
#### Push bed end on

- Push the bed end with the guides (1) into the the bedframe tube (2) as far as the stop.

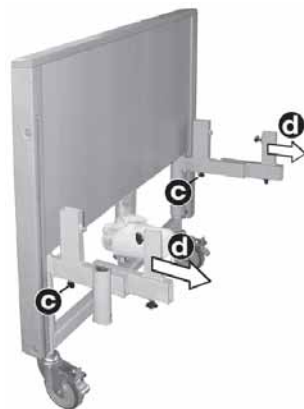


#### Screwing up the bed end

- Screw both tommy screws (3) for the bed end screwed connection into the welded nuts.
- Secure the connection by tightening the tommy screws.



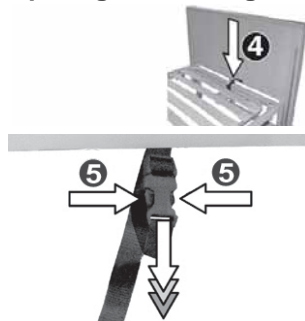
- Loosen the safety screws (c) and remove the transport and storage system (d) from the bed end.
- The second bed end is fixed in a similar manner to that above to the foot of the bed.



- Undo the securing strap (4) on the headpiece and remove all transport securing devices on the head and footpieces.

To open the retaining belt, press the side tabs (5) on the locking device and pull back the lock.

Opening the retaining belt



### 7.5 Connecting the lift motor, hand set mattress support motor and accumulator box

**When connecting, ensure that:**

- the sealing rings (a) on the plug must not be damaged while being plugged in.
- The ribs (b) on the plug must be aligned with the guide grooves (c) on the jack socket.

Plug arrangement



- ➔ Plug the electrical component plugs into the jack sockets as shown in the following diagram.

The labels on the plug arrangement shown in the photo correspond to those on the control unit.

### Plug arrangement:

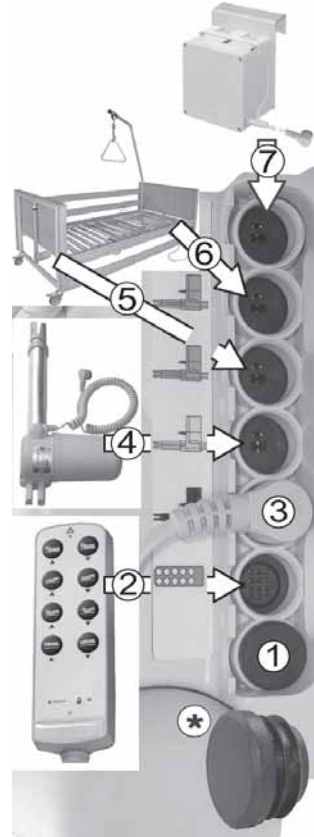
- 1 = Not in use
- 2 = Hand set
- 3 = Mattress support motor (pre-fitted on the control unit)
- 4 = \*Dummy plug (only for 3-section mattress support) or mattress support motor for foot section adjustment (only for 4-section mattress support)
- 5 = Cable for lift motor; foot section
- 6 = Cable for lift motor; head section
- 7 = Accumulator box (only nursing beds with Trendelenburg's position)



### \*NOTE

Jack sockets not in use must be closed using dummy plugs.

### Plug arrangement

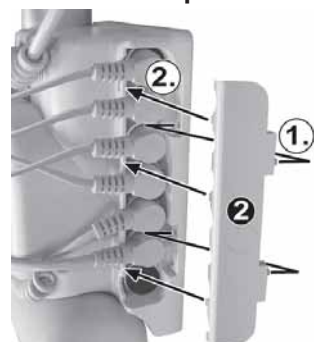


- ➔ Insert the tension protection (2).

### To do this:

1. Push the pegs into the drill holes.
2. Engage the clips into the recesses.

### Insert tension protection



## 7.6 Inserting the mattress support motor with control unit

- Open the quick-release bolt retainer (1).



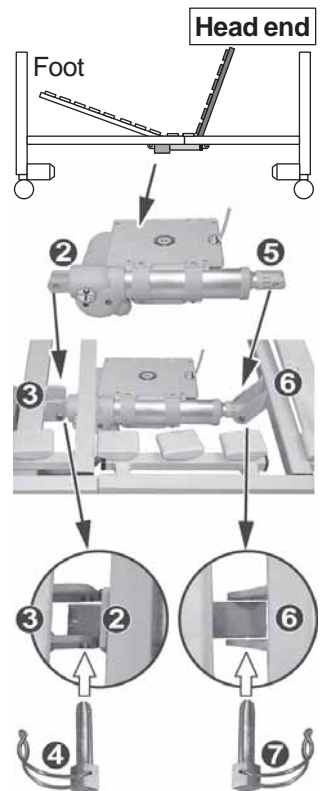
**Insertion direction** = the mattress support motor with control unit is fixed under the mattress support with the motor housing (2) pointing towards the foot end.



### Caution!

- Ensure that the mattress support motor with control unit is aligned correctly (label on nursing bed).

- Pass the receptacle of the motor side (2) between the mattress support frame tabs (3).
- Insert the quick-release bolt (4) and secure by closing the retainer.
- Pass the second receptacle (5) between the head end adjustment frame tabs (6).
- Insert the quick-release bolt (7) and secure by closing the retainer.

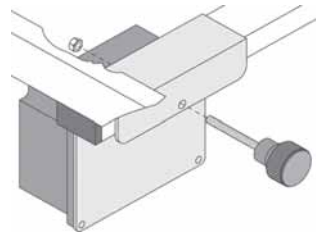
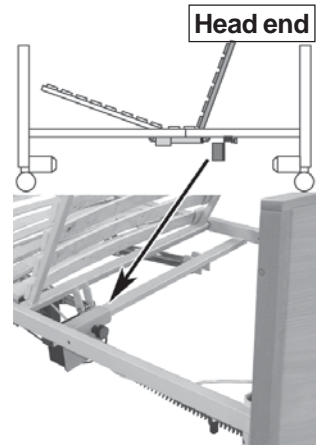


### 7.7 Assembly of accumulator box to the nursing bed (only nursing beds with Trendelenburg's position)

fixing the accumulator box

The accumulator box is to be fixed close to the control unit on a cross bar positioned to the head section of the mattress support (see photo/drawing).

- ➔ Remove the fixing screw from the metal support of the accumulator box.
- ➔ Slide the metal support of the accumulator box over the cross bar of the mattress support.
- ➔ Insert the fixing screw, rotate the fixing nut along thread and tighten to secure.



## 7.8 Inserting the mattress support motor for foot section adjustment (4-section mattress supports)

- Open the quick-release bolt retainer (1).

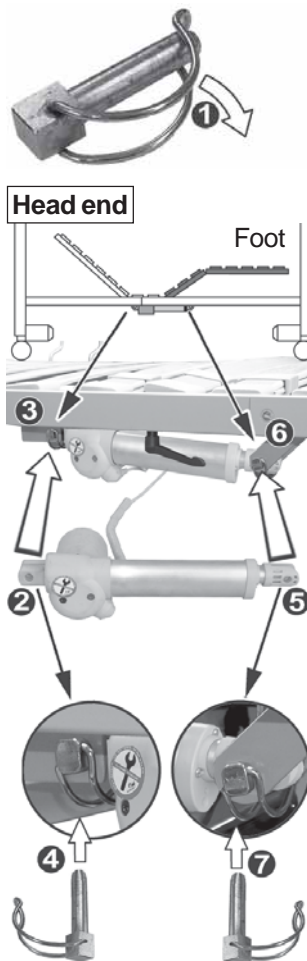
**Insertion direction** = The mattress support motor with the motor housing (2) is fixed under the mattress support pointing towards the head end (observe label on nursing bed).



### Caution!

- Ensure that the mattress support motor is aligned correctly (label on nursing bed).

- Pass the receptacle of the motor side (2) between the mattress support frame tabs (3).
- Insert the quick-release bolt (4) and secure by closing the retainer.
- Pass the second receptacle (5) between the foot end adjustment frame tabs (6).
- Insert the quick-release bolt (7) and secure by closing the retainer.



### 7.9 Routing and fixing the control unit mains cable

**When routing cables, ensure that:**

- the cables are not subjected to tension
- the cables do not hang too deeply
- cables are not routed close to locations where crushing or shearing can take place



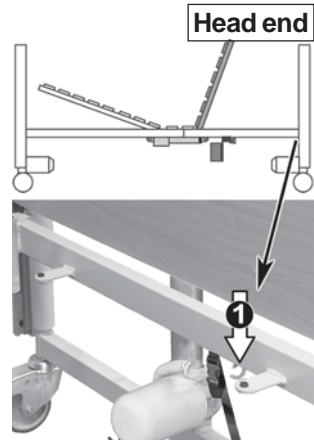
**NOTE**

There are one fixing (1) for screwing in the mains cable anti-kink and tension protectors on the head and foot of the bedframe.

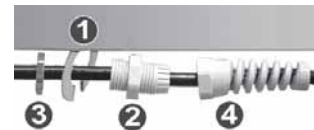
Routing the mains cable along the head of the bed is recommended.

- ➔ Route the mains cable to one of the fixings (1) on the head section for fixing the anti-kink and tension protectors.
- ➔ Fix the mains cable and bolted connection (2) through the fixing (1) on the bedframe and bolt tight with the nut (3) (size 19 mm).
- ➔ Screw the anti-kink and tension protector cover (4) onto the bolted connection (2) and screw tight (size 19 mm).

**Fixing for anti-kink and tension protectors**



**Detail: anti-kink and tension protectors**



## 7.10 Routing the electrical element cables

### When routing cables, ensure that:

- the cables are not subjected to tension
- the cables do not hang too deeply
- cables are not routed close to locations where crushing or shearing can take place.

### Electrical elements:

- a = mattress support motor with control unit
- b = mattress support motor for 4-section mattress support
- c = lift motor; foot section
- d = lift motor; head section
- e = hand set
- f = Accumulator box (only nursing beds with Trendelenburg's position)

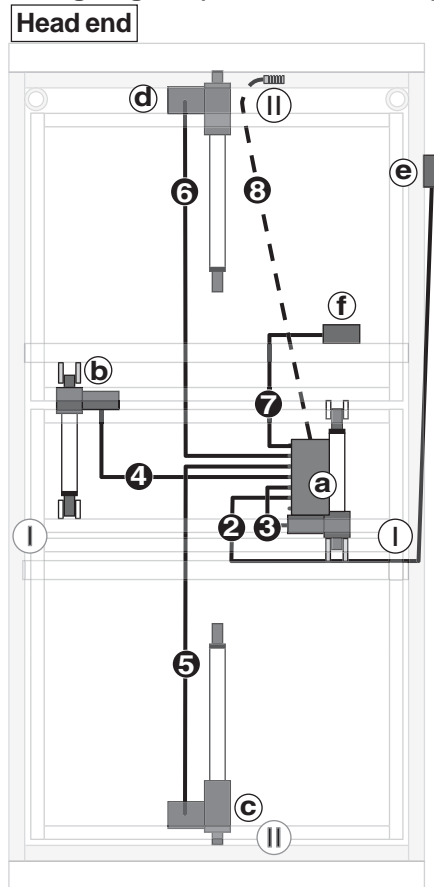
### Cable routing:

- 2 = to hand set
- 3 = to mattress support motor; head section
- 4 = to mattress support motor; foot section adjustment for 4-section mattress support
- 5 = to lift motor; foot end
- 6 = to lift motor; head end
- 7 = to accumulator box (only nursing beds with Trendelenburg's position)
- 8 = mains cable

### Cable fixings:

- I = tension relief for hand set cable
- II = tension relief for mains cable

### Wiring diagram (viewed from above)



### NOTE

Tension relief devices (I + II) are provided for on both sides of the nursing bed.

### 7.11 Routing the hand set cable

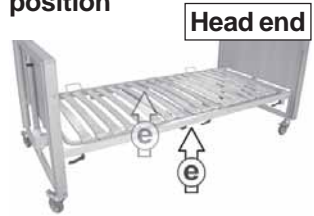


#### NOTE

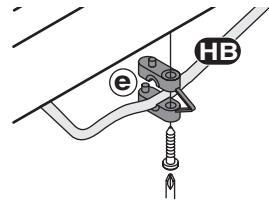
Tension relief devices (e) are provided for on both sides of the nursing bed. You should select the side to suit the installation site.

- ➔ Loosen the tension relief (e) for the hand set cable (HB), insert the cable and screw the tension relief tight.

#### Tension protector position



#### Cable hand set

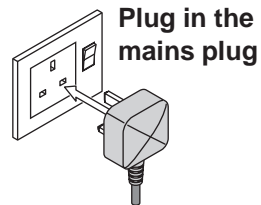


### 7.12 Carrying out a performance test



#### NOTES

- Please note the information in chapters 9.3 and 9.5 “Operation” when plugging in the mains plug and checking the adjustment functions.
  - Ensure that the transport safety devices at the head and foot-pieces of the mattress support have been removed (Chapter 7.4).
  - When operating the adjustment motors, ensure that the nursing bed cabling cannot be crushed or overstretched.
- ➔ Plug in the mains plug.
  - ➔ Check all nursing bed adjustments for correct working order.
  - ➔ Run the nursing bed up to its highest position.
  - ➔ Remove the mains plug from the socket.

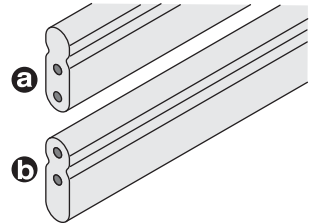


### 7.13 Installing the bed rails

The bed rail cappings have different drill holes in them.

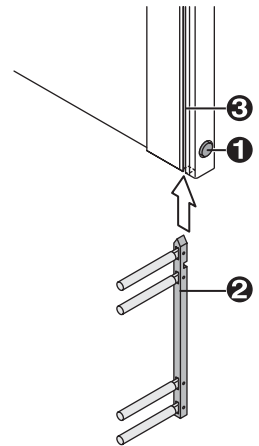
- (a) top capping for bed rail = drill holes offset downwards
- (b) bottom capping for bed rail = drill holes offset upwards

#### Bed rail capping drill holes



#### Fixing the bed rail at the head end:

- Press bottom fastening knob (1),
- push the slider (2) with the point facing upwards into the guide groove (3) on the head front face and
- engage in top locking device.



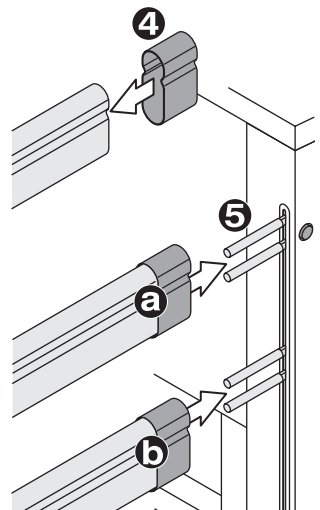
- Press the plastic caps (4) onto the bed rail (observe drill hole position).



#### NOTE

Before pushing on, check to see that the spring is located in the cap.

- Push the bed rails (a+b) onto the pegs (5) on the slider.



### Fixing the bed rail at the foot end:

- ➔ Press the plastic caps (1) onto the bed rail (observe drill hole position).



#### NOTE

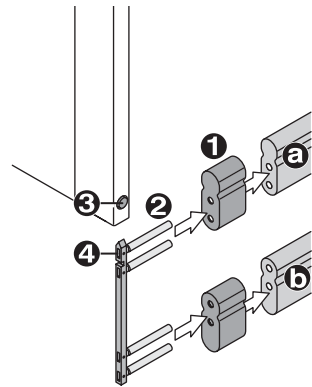
Before pushing on, check to see that the spring is located in the cap.

- ➔ Die Guide the pegs (2) on the sliders into the drill holes in the cap and bed rails.

When doing this, the pointed side of the guide rail must face upwards (see sketch).

- ➔ Press bottom fastening knob (3),
  - ➔ Push the slider (4) into the guide groove on the foot front face and
  - ➔ engage in top locking device.
- ➔ Install the second bed rail in the same manner as the first.

### Bed rails on foot end



## 7.14 Installing the raising mechanism

- ➔ Insert the raising mechanism (1) in the attachment (2) fixed to the bedframe at the required bed side.

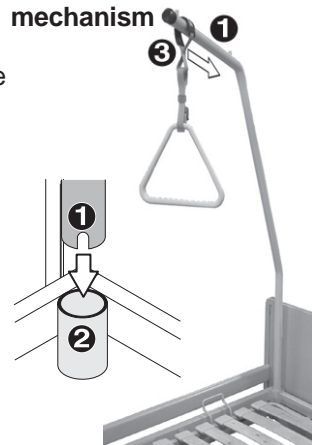


#### NOTE:

The guide groove at the end of the raising mechanism tube (1) must be located over the pins in the attachment (2).

- ➔ Push the handgrip strap loop (3) onto the raising mechanism tube.

### Installing the raising mechanism



## 8.0 Safety devices

### 8.1 Control unit

The Control unit is fitted with the following safety devices as overload protection:

- Limit switches switch the actuator motors off when they reach their limit position.
- Thermostats switch the Control unit off if it overheats.

The Control unit can be operated again after a pause of between 20 and 30 minutes.

Control unit



### CAUTION!

**The nursing beds are not fitted with an emergency-off switch!**

- *In cases of emergency, remove the mains plug!*

If the battery is fitted, it is possible that the movement will be continued even if the mains plug has been removed, in this case:

- *Unplug the accumulator box cable.*

### 8.2 Accumulator box (only nursing beds with Trendelenburg's position)

#### 8.2.1 General information

If you are using a control box with push buttons for Trendelenburg positions, the nursing bed is fitted with rechargeable batteries (accumulator box).

**You must use the accumulator box for beds with the Trendelenburg's position function.**

The accumulator box guarantee that the nursing bed can be put into the Trendelenburg positions even in cases of power failure (a requirement of EN 60601-2-38). Any adjustments carried out on the nursing bed can be operated between 5 and 15 times with the accumulator box. The number of operations is dependent on patient weight and the adjustment selected.

Accumulator box



### 8.2.2 Charging the accumulator box

The accumulator box / battery is automatically charged when the mains plug is plugged in.

- the charging time is at least 12 hours (for example overnight)
- the mains plug can be left connected for longer periods because protective circuitry ensures that the battery cannot be overcharged.



#### **NOTE**

If adjustment is carried out several times without a power supply, the accumulator box gives off a warning tone to signal that the charging limit has been reached.

### 8.2.3 Storage of the accumulator box

Do not store the discharged accumulator box for long periods.  
Recharge the accumulator box once a month.

### 8.3 Headrest adjustment emergency unlocking

The nursing bed head section can be raised or lowered by removing the quick-release bolts on the mattress support motors if the adjustment motors should break down.



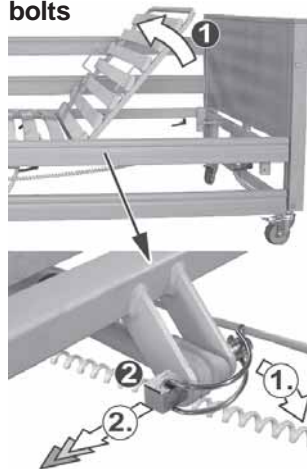
#### Accident hazard!

- *Operating the emergency unlocking system may only be carried out by two people.*

#### Unlocking the headrest adjustment:

- Lift the mattress support head section slightly (1).
  - Remove the quick-release bolts (2) as follows (second person must do this!):
    1. Open up the securing bar.
    2. Pull the quick-release bolts out of the receptacle.
  - Slowly lower the mattress support head-section (3).
- Inserting the quick-release bolts**
- Run the mattress support motors as far as the limit position by pressing the „Lower head section“ (4) button on the hand set.
  - Fit the quick-release bolts as described in Chapter 7.6 „Inserting the mattress support motors“.

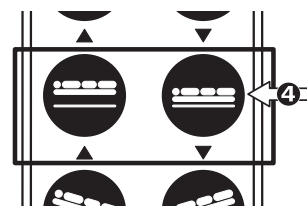
#### Raise head section and remove quick-release bolts



#### Lowering the head-section



#### hand set



**9.0 Operating the nursing bed**



**Accident hazard!**

- Do not use electrical medical appliances on patients in these nursing beds.
- Do not use the nursing bed in the vicinity of strong electromagnetic fields (for example major medical equipment).



**Trapping hazard!**

There is a possible danger of trapping at all joints on the nursing bed and at support points for the mattress support.

- If the mattress support has been folded up, secure it against unintentional unfolding by suitable methods.

**When carrying out adjustments, please observe the following points:**

- Before adjusting the bed height, ensure that nothing is blocking the full adjustment movement.
- Avoid operating the actuator motors continuously for more than two minutes (intermittent operation).

**Maximum** continuous operation of actuator motors = 2 minutes.

**Minimum pause** after 2 minutes operation = 18 minutes.

- Do not operate more than two actuator motors at once.
- Always move the nursing bed to the lowest height when unsupervised or for entering or exiting the bed.
- When carrying out adjustments, observe the patient in the bed and the bed's surroundings.

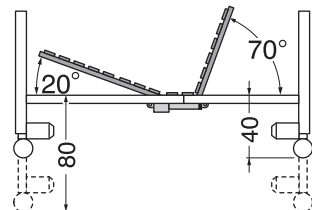
**9.1 General notes on operation - 3-section mattress support**

Electrical head section and bed height adjustment is infinitely variable.

Mechanical adjustment of the foot section (automatic catch) takes place in two stages.

The adjustment range for the reclining surface height is between 40 and 80 cm.

The head section can be inclined upwards by up to 70° .



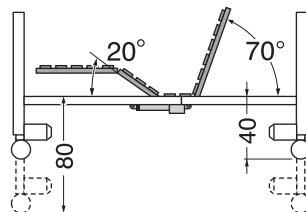
### 9.2 General notes on operation - 4-section mattress support

Backrest foot section and bed height adjustment is infinitely variable.

The adjustment range for the reclining surface height is between 40 and 80 cm.

The head section can be inclined upwards up to 70°.

The footpiece can be inclined by 20°. In addition, the lower leg support can be lowered mechanically (automatic catch).



### 9.3 Plugging in the mains cable



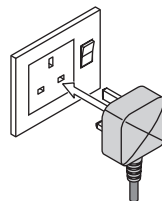
#### Accident hazard!

- Always plug the nursing bed mains plug into a separate wall socket.

The mains cable may not be run over.

- Route the mains cable to the power supply socket so that no mechanical tension results, and so that it cannot be crushed, bent or run over.

- Only plug the mains plug into sockets (230 V~ / 50Hz) which are easily accessible at any time (main plug fuse size = 5A).
- Always check that the mains cable, the mains socket and plug are in perfect working order before plugging the bed in.



#### CAUTION!

**The nursing beds are not fitted with an emergency-off switch!**

- In cases of emergency, remove the mains plug!

If the accumulator box is fitted, it is possible that the movement will be continued even if the mains plug has been removed, in this case:

- Unplug the accumulator box cable.

### 9.4 Raising or lowering the bed rails

#### Raising the bed rails:

- ➔ Pull the bed rails up until the top fastening knob (1) engages.

#### Raising the bed rails



#### Lowering the bed rails:

- ➔ Raise the bed rail slightly.
- ➔ Press the fastening knob (1) in and lower the bed rail.



#### Caution!

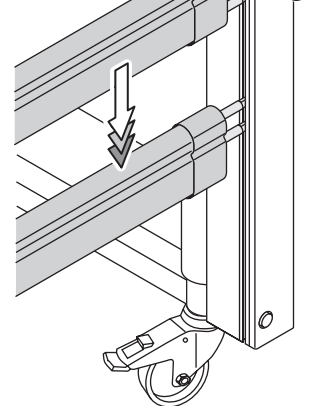
Do not allow bed rails to fall unsecured onto the bottom locking clip!

- *When lowering the bed rail, use your other hand to lower it as far as the locking clip.*

Always place the head and foot end of the siderail in the same position.

- *Do not set the siderail in a diagonal position.*

#### Lowering the bed rails



### 9.5 Operating the nursing bed adjustments

#### 9.5.1 Locking/unlocking the hand set

The locking setting is shown by the LEDs  
(1) Power On and (2) Lock symbol.

Both LEDs illuminated = hand set ready for operation.

#### Locking/unlocking the hand set:

- Run the flat end of the magnetic key over the key symbol (a).

#### Display - hand set locked:

- (1) LED Power On illuminates
- (2) LED key symbol off

#### Display - hand set unlocked:

- (1) LED Power On illuminates
- (2) LED key symbol illuminates



#### NOTE

The hand switch is locked during the initial startup, after the mains plug has been removed or after a power cut.

#### Locking/unlocking the hand set



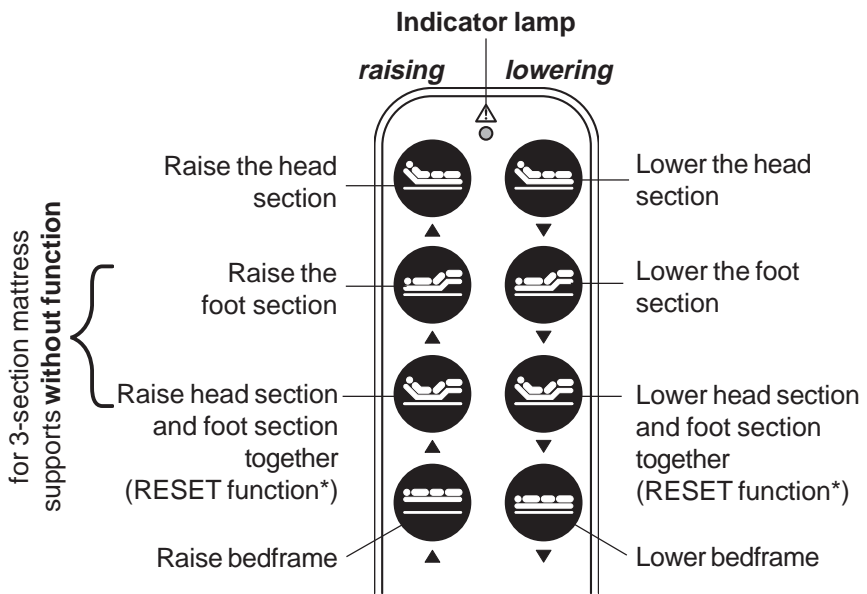
## 9.5.2 Operating the nursing bed adjustments - hand set

### Hand set signals when operating adjustment keys:

- Indicator lamp illuminates when adjustment key is pressed.

### Error messages:

- The indicator lamp does not illuminate when operated = Control unit defective
- The indicator lamp is permanently illuminated without being operated = Control unit defective



### \*The RESET function:

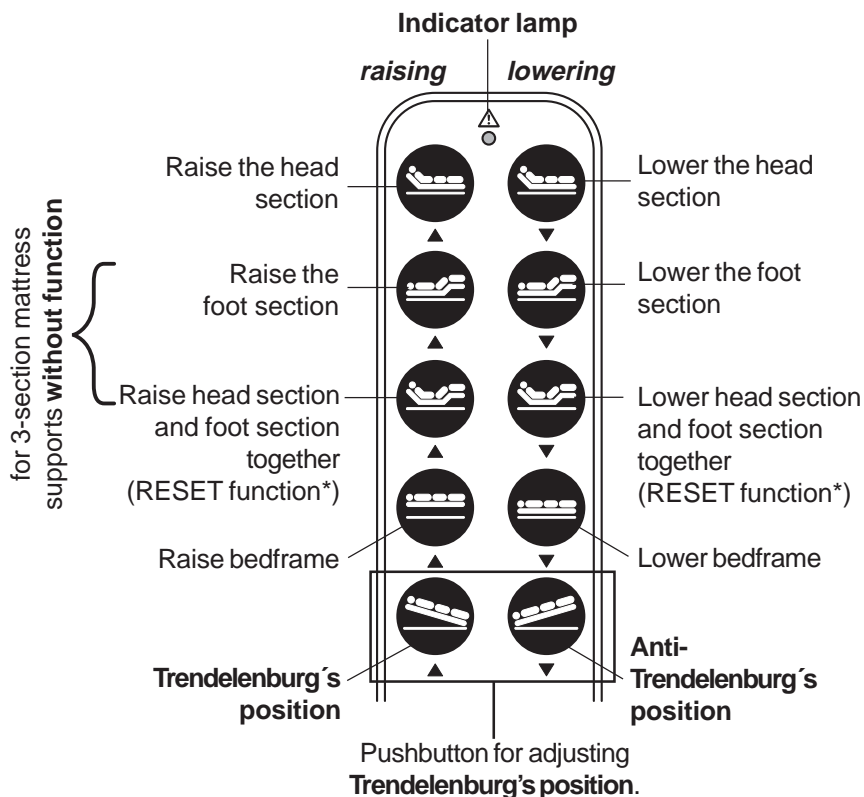
mattress support, head section and foot section are raised or lowered simultaneously.

This enables the mattress support to be run to its initial position quickly.

### Initial position



## 9.5.3 Hand set with Trendelenburg's position



### Possible danger through altering patient's position!

- Operation of Trendelenburg's position may only be carried out by nursing personnel if ordered by a doctor who is present at the time.

#### \*The RESET function:

mattress support, head section and foot section are raised or lowered simultaneously. This enables the mattress support to be run to its initial position quickly.

#### Initial position



### 9.6 Adjusting the foot section (Rastomat)



#### NOTE

- Hold the frame in the middle (a) when raising or lowering the foot section.
- The automatic catch is intended for raising the foot section on the 3-section mattress support or raising the lower leg support on the 4-section mattress support.
- Adjustments to the lower leg support in the 4-section mattress support can be carried out in a similar manner as described below.

#### Raising - 3-section mattress supports



#### Raising - 4-section mattress supports



#### Raising (1) foot section (3-section mattress support) / Raising the lower leg support on the electrically-driven foot section (4-section mattress support)

- ➔ Raise the foot section slowly into the required position until the Rastomat audibly engages.



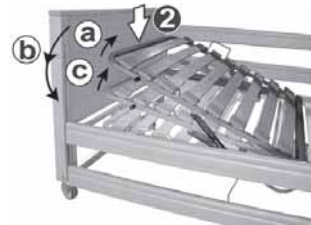
#### NOTE

- Raising the foot section until the top stop unlocks the automatic catch.



#### Lowering the foot section (2)

- ➔ a) Unlock the automatic catch by raising the foot section.
- ➔ b) Lower the foot section as far as the bottom stop.
- or
- ➔ c) Lower the foot section to the central position and then ensure the automatic catch is audibly engaged by raising the foot section slightly.



## 9.7 Operating the brakes



### Danger of crushing!

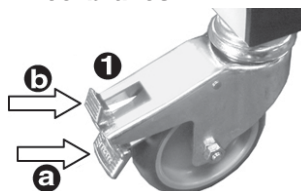
- Before locking, turn the steering rollers to point towards the mattress support under the nursing bed.  
Ensure that the brake and unlocking levers (a+b) are freely accessible.

#### Wheel brakes (1):

#### Casa Med Ultra 4 and Casa Med Classic 4

- ➔ (a) = engage wheel brakes
- ➔ (b) = disengage wheel brakes

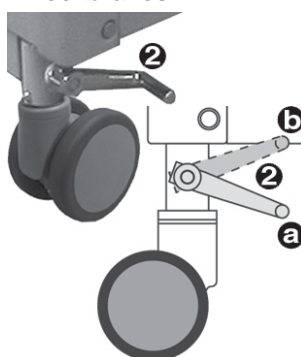
#### Casa Med Ultra 4 and Casa Med Classic 4 wheel brakes



#### Brake lever (2): Casa Classic Plus

- ➔ (a) = lock steering and rolling movement.
- ➔ (b) = release steering and rolling movement.

#### Casa Classic Plus wheel brakes



## 9.8 Pushing the nursing bed and patient transport



### NOTE:

- only transport patients in a lying position
- if the raising mechanism is fitted, ensure low hanging objects (ceiling lamps) are avoided.

### Before moving:

- ➔ Run the reclining surface into the initial position. Lower mattress support head and foot sections (observe chapter 9.5).
- ➔ Pull the bed rails up until the fastening knob engages.
- ➔ Remove the mains plug from the socket.
- ➔ Secure the mains cable against being run over by tying up with the safety strap (1) at the head of the bedframe.

### Raise bed rails, initial position



### Transport safety device



### Risk of short-circuit and fire!

- Always secure the mains cable against being run over using the safety strap (1) before moving the nursing bed.

- ➔ Release the nursing bed wheel brakes (observe chapter 9.7).
- ➔ Move the nursing bed.

### Wheel brakes:

- (1) Casa Med Ultra 4;  
Casa Med Classic 4
- (2) Casa Classic Plus



### After moving:

- Engage all wheel brakes (observe chapter 9.7).



### Danger of crushing!

- Before locking, turn the steering rollers to point towards the mattress support under the nursing bed. Ensure that the brake and unlocking levers (a+b) are freely accessible.

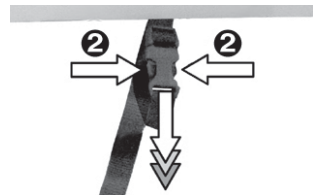
- Remove the mains plug from the safety strap. To open the safety device, press the side tabs (2) on the locking device and pull back the lock.
- Plug the mains plug into the socket (see information in chapter 9.3).

### Wheel brakes:

- (1) Casa Med Ultra 4;  
Casa Med Classic 4
- (2) Casa Classic Plus



### Opening the transport safety device

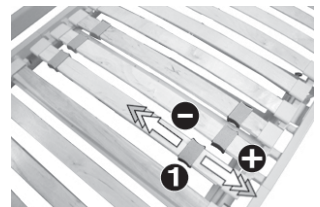


## 9.9 Adjusting the slatted frame springiness

The springiness for the individual slats can be adjusted using the six bars (1) fixed to the centre of the slatted frame. This enables the slatted frame to be adjusted to suit the user's weight within certain limits.

Pull bar out (+) = increase hardness  
Push bar in (-) = decrease hardness

### Adjusting the bars



## 10.0 Patient-related safety measures and adjustments made by nursing personnel

### 10.1 Limits of use

Particular patient illnesses (clinical condition) can lead to limitations being imposed on the nursing bed application capabilities. Before using the nursing bed, consult the specialist responsible for the patient.



#### Limitations of use!

- *Patients taller than 195 cm (6'-5'') should not use this nursing bed.*  
N.b. An extended bed frame to suit patients up to 219 cm (7'-1'') is available from **Days Healthcare**.

### 10.2 Gap dimensions and bed rail spacing



#### Danger to life and injury hazard through crushing!

- *If the patient is underweight, ensure that the patient cannot slip down between the mattress and bed rails.*
- *If the patient is underweight, always use the bed rail protectors supplied by **Days Healthcare**.*
- *Always ensure that the bed rails are locked in properly.*

The following checks must be made on the nursing bed and suitable preventive measures must be taken in the case of extremely thin patients:

#### Check:

It must not be possible for the patient to slip between the mattress (1) and the bed rails (2).

#### Preventive measure:

Only use mattresses which have a reclining surface width of 90 cm!

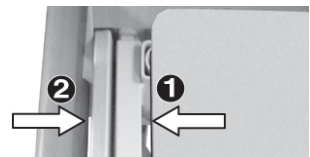
#### Check:

It must not be possible for the patient to slip between the bed rail capping.

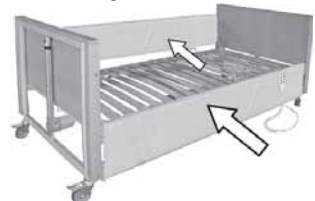
#### Preventive measure:

Use the bed rail protectors supplied by **Days Healthcare**.

#### Distance between mattress and bed rails



#### Bed rail protectors



### 10.3 Locking the nursing bed adjustments



#### **Possible danger through altering patient's position!**

- *Always lock the nursing bed adjustment functions on the hand set which could cause danger to the patient's health if adjusted (consult doctor).*

Locking the adjustments takes place using the hand set.  
The hand set operation is described in Chapter 9.5.

- Test locking by operating the function keys on the hand set.  
The adjustment must not move.  
If the locking system is faulty, replace the hand set or the control unit.

## 11.0 Cleaning



#### **NOTE:**

- When cleaning this bed, do not use any sharp-edged tools (knives, metal scrapers) or aggressive solvents.
  - Do not use high-pressure cleaners to clean this bed.
  - Observe the instructions issued with the cleansing agent in order to avoid damage to component surfaces.
- Use damp cloths to carry out cleaning work.
  - Only use mild cleansers free of scouring agents for cleaning any metal, wooden or plastic surfaces.

**12.0 Testing plan for nursing beds**



**Hazards due to electrical and mechanical faults!**

- Always remove faulty nursing beds from operation and secure them against unauthorised use (remove mains plug).
- Always report any faults found immediately to the responsible persons!



**Accident hazard!**

- It is imperative that you always rectify any faults which could influence the function and safety of the nursing bed immediately.

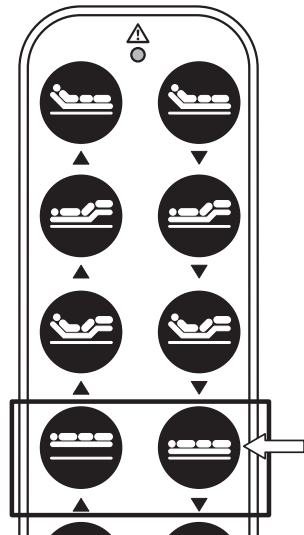
**12.1 Daily checks**

The following routine checks can be carried out by nursing personnel or attendants:

- ➔ Lower the nursing bed until both bed end motors are turned off.
- ➔ Check bed rails for easy movement and damage.
- ➔ Check the locking device on the bed rails for correct functioning.

**Each time the nursing bed has been adjusted:**

- ➔ Check the mains cable and mains plug for damage and kinks.
- ➔ Route the mains cable between the bed and mains socket so that it cannot be crushed or run over.



## 12.2 6-monthly inspection - check control unit

### Preparation:

- Lock all adjustment functions at the hand set, then carry out performance test as described in the following "Check" section.

### Lock the adjustment functions

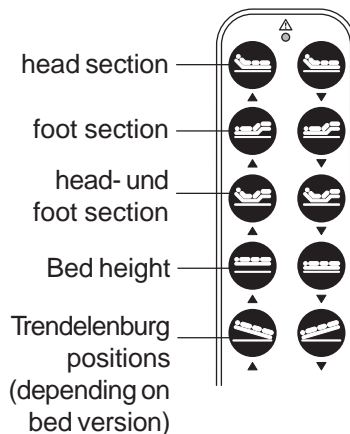


### Check:

- Test all functions by activating the relevant function keys on the hand set.

None of the adjustment functions should react.

If a function starts operating, the control unit must be replaced.



## 12.3 Testing intervals

Testing intervals are dependant on the type of usage for **Days Healthcare** nursing beds.

- **Days Healthcare** prescribes testing intervals of two years for safety inspections in accordance with MPBetriebV (Germany) under normal environmental and operating conditions.
- If being brought back into use, inspections should take place before every new usage (after being assembled at the patient's location) and then every two years.
- Testing intervals should be shortened if the nursing bed has been subjected to higher loading (for example by frequent patient changes in a nursing home). In case of doubt, please contact **Days Healthcare** for advice.

**12.4 Inspection of mechanical components**

All inspection work described below may only be carried out by expert trained personnel.

Evaluation of the checklist and maintenance work carried out on the nursing bed may only be carried out by expert personnel with suitable training, knowledge and experience.

Description	Assessment	
	OK	defective
<i>Visible inspection of all frames and housing parts for deformation, damage, wear and corrosion:</i>		
Mattress support and its plastic elements	<input type="checkbox"/>	<input type="checkbox"/>
Bedframe side panels	<input type="checkbox"/>	<input type="checkbox"/>
Bedframe head and foot	<input type="checkbox"/>	<input type="checkbox"/>
Backrest adjustment guides	<input type="checkbox"/>	<input type="checkbox"/>
Bed rails	<input type="checkbox"/>	<input type="checkbox"/>
All lifting device components	<input type="checkbox"/>	<input type="checkbox"/>
Track rollers	<input type="checkbox"/>	<input type="checkbox"/>
Check all connecting elements (e.g. nuts, bolts, rivets..) for completeness, function and correct seating.	<input type="checkbox"/>	<input type="checkbox"/>
all casings	<input type="checkbox"/>	<input type="checkbox"/>
existing casing seals	<input type="checkbox"/>	<input type="checkbox"/>
casing bolt seating	<input type="checkbox"/>	<input type="checkbox"/>
raising mechanism attachment	<input type="checkbox"/>	<input type="checkbox"/>
all raising mechanism components	<input type="checkbox"/>	<input type="checkbox"/>

Description	Assessment	
	OK	defective
<i>Performance check to track rollers and brakes:</i>		
easy running gear movement (rolling and steering )	<input type="checkbox"/>	<input type="checkbox"/>
castor locking in "straight ahead" setting	<input type="checkbox"/>	<input type="checkbox"/>
function and locking of brakes	<input type="checkbox"/>	<input type="checkbox"/>
<i>Performance check for bed rails:</i>		
easy movement in running guides	<input type="checkbox"/>	<input type="checkbox"/>
locking (easy movement, play)	<input type="checkbox"/>	<input type="checkbox"/>
difference between bar caps, max. 12 cm, even under load (see <i>dimension A</i> , chapt. 17.1 "Specifications")	<input type="checkbox"/>	<input type="checkbox"/>
Distance between bed rails and bed frame max. 12 cm, even under load (see <i>dimension B</i> , chapt. 17.1 "Specifications")	<input type="checkbox"/>	<input type="checkbox"/>
Deformation under load	<input type="checkbox"/>	<input type="checkbox"/>
<i>Mechanical testing of raising mechanism under load:</i>		
Check triangle for integrity	<input type="checkbox"/>	<input type="checkbox"/>
Check triangle belt for integrity	<input type="checkbox"/>	<input type="checkbox"/>
Check raising mechanism tube for deformation under load	<input type="checkbox"/>	<input type="checkbox"/>

## 12.5 Inspection of electrical components

Description	Assessment	
	OK	defective
<i>Visual inspection of electrical components:</i>		
mains cable for kinks and damage	<input type="checkbox"/>	<input type="checkbox"/>
hand set cabling for kinks and damage	<input type="checkbox"/>	<input type="checkbox"/>
locking box cabling for kinks and damage	<input type="checkbox"/>	<input type="checkbox"/>
mains plug for damage	<input type="checkbox"/>	<input type="checkbox"/>
internal cabling for kinks and damage (especially at critical locations such as cable leadthroughs, movable mattress support parts and the lifting device)	<input type="checkbox"/>	<input type="checkbox"/>
correct cable routing	<input type="checkbox"/>	<input type="checkbox"/>
<i>Correct seating and condition of all:</i>		
plug contacts	<input type="checkbox"/>	<input type="checkbox"/>
plug contact sealing rings	<input type="checkbox"/>	<input type="checkbox"/>
cable leadthroughs	<input type="checkbox"/>	<input type="checkbox"/>
cable fixings	<input type="checkbox"/>	<input type="checkbox"/>
tension protection	<input type="checkbox"/>	<input type="checkbox"/>
anti-kink sheaths	<input type="checkbox"/>	<input type="checkbox"/>
<i>Performance inspection of electrical components:</i>		
Motor switch-off caused by limit position switches by running all adjustments up as far as the possible limit position	<input type="checkbox"/>	<input type="checkbox"/>
<b>Switch-off is working correctly if:</b>		
• the switching noise in the switch-off relay is audible		
motors (noises, speed)	<input type="checkbox"/>	<input type="checkbox"/>
keys on remote control (function, use of movement, damage)	<input type="checkbox"/>	<input type="checkbox"/>

## 12.6 Measurements

Some countries in the European Union have a legal requirement to carry out the measurements listed below.

The nursing bed operator is responsible for determining the appropriate national regulations.

All measurements described below may only be carried out by expert trained personnel and with the use of suitable measuring instruments. Any faults noted must be reported to the responsible person immediately and rectified.



### Hazards due to electrical and mechanical faults!

- Always remove faulty nursing bed from operation and secure them against unauthorised use (remove mains plug).



### Accident hazard!

- It is imperative that you always rectify any faults which could influence the function and safety of the nursing bed immediately.

Description	Assessment	
	OK	defective
<i>The following measurements must be carried out in accordance with DIN VDE 0751 :</i>		
Earth conductor resistance (only Class I devices)	<input type="checkbox"/>	<input type="checkbox"/>
Equivalent leakage currents	<input type="checkbox"/>	<input type="checkbox"/>

### Information about measurement of equivalent leakage currents:

Typical value: < 20  $\mu$ A

Measurement locations: shorted-out power plug (L+N) against...

- 1.) ...metallic lift motor parts (bed end motors)
- 2.) ...blank metallic bedframe locations (bolts etc.)

## 13.0 Troubleshooting

Fault	Model	Cause	Remedy
Mattress support head section or foot section, or bed frame, cannot be raised/lowered	all models	Mains plug not plugged in	see chapt. 9.3
		Hand set locked	see chapt. 9.5.1
		Thermoswitch active	try again after 20-30 minutes
		Hand set defective	Inform your dealer
Control unit defective			
Mattress support foot section does not locate when being raised	all models	Automatic catch defective	Inform your dealer
Castors cannot be locked	Casa Med Ultra 4 Casa Med Classic 4	Castor defective	Inform your dealer
	Casa Classic Plus	Locking bar or castors defective	Inform your dealer
Bed rails jam	all models	Fixing dirty or broken	see chapt. 7.13
Hand set indicator lamp is never illuminated when operated	all models	Hand set locked	see chapt. 9.5.1
		Drive load exceeded	Reduce drive load
		Controller defective	Inform your specialist dealer

### 14.0 Storage of the nursing bed with the transport and storage system (TLSU)

Please proceed as follows to store the nursing bed:

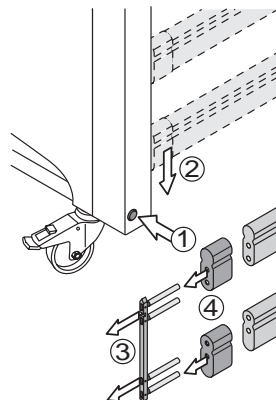
#### 14.1 Dismantling the nursing bed

- Remove raising mechanism.
- Remove bed rails, to do this ..

...at the **foot end**:

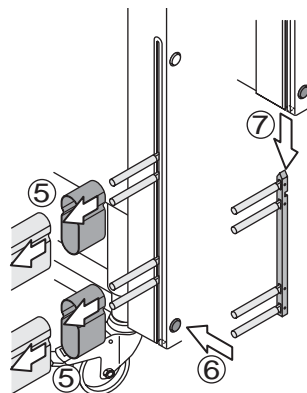
- (1) press in the unlocking lever
- (2) pull the slider out of the guide groove and
- (3) remove it from the bed rail cappings.
- (4) Remove the plastic caps.

#### Remove bed rails



...at the **head end**:

- (5) pull the bed rail cappings and the plastic caps off the slider.
- (6) press in the unlocking lever and
- (7) pull the slider out of the guide groove.



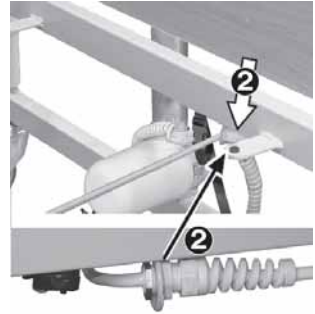
- Secure the mattress support with the retaining belts (1) on the bed frames.

#### Secure mattress support



- ➔ Loosen the anti-kink and tension protectors (2) for the mains cable from the bed frames (spanner size 19 mm).

### Remove mains cable



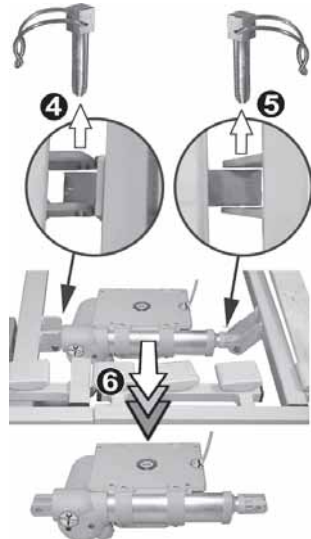
- ➔ Remove the hand set cable from the tension protection (3) on the bed frames.

### Remove hand set cable



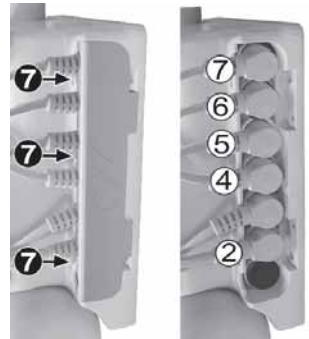
- ➔ Pull both quick-release bolts (4 + 5) out of the receptacle and remove mattress support motor (6) complete with control unit.

### Remove mattress support motor with control unit



- Unlock the tension relief by pressing in the side clamps (7) and remove.
- Disconnect the following electrical component plugs from the control unit:
  - 2 = Hand set
  - 4 = mattress support motor for foot section adjustment (only for 4-section mattress support)
  - 5 = Cable for lift motor; foot section
  - 6 = Cable for lift motor; head section
  - 7 = Accumulator box (only nursing beds with Trendelenburg's position)
- Remove the accumulator box from the nursing bed (only nursing beds with Trendelenburg's position).

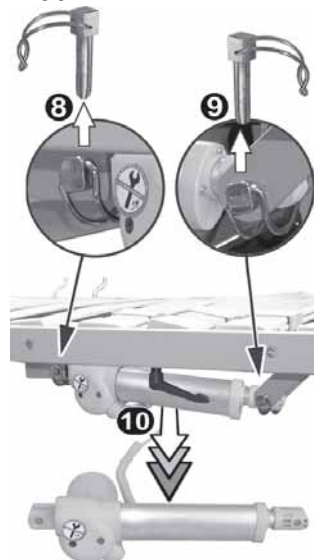
### Disconnect the plugs



### Remove accumulator box



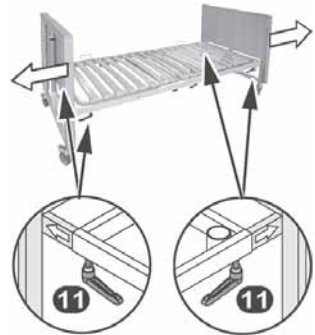
### Remove mattress support motor



- Pull both quick-release bolts (8 + 9) out of the receptacle and remove mattress support motor (10).

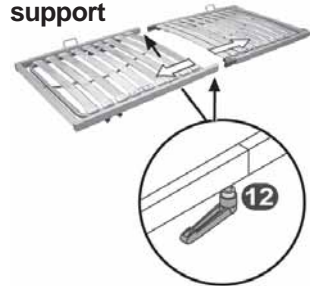
- ➔ Loosen the tommy screws (11) and remove both bed ends from the mattress support.

### Remove the bed ends



- ➔ Loosen the tommy screws (12) and separate the mattress support.

### separate the mattress support



### 14.2 Placing the components in the transport and storage system (TLSU)

- ➔ Fix the bed ends to the TLSU as follows:

(1.) Push the TLSU (1) onto the bed end guides.



**NOTE:**

The mountings (a) with the clamping screws must be pointing in the same direction.

(2.) Push the second bed end with the guides into the TLSU mountings.

**Fix the bed ends to the TLSU**



- ➔ Fix the connection by tightening the clamping screws (2).

- ➔ Push the mattress support foot section (3) **into** the TLSU guides and secure by tightening the tommy screws.

- ➔ Push the mattress support head section (4) **onto** the TLSU guides and secure by tightening the tommy screws.

- ➔ Place the laying area motor, bed rails and small parts upright between the mattress support components (packed in original carton if possible (5)).

- ➔ Push the raising mechanism into the TLSU mounting (6).



## 15.0 Disposal

To comply with national law, the following instructions are guidelines for the disposal of your product at the end of its life or when it ceases to function economically. Recent legislation on electrical equipment indicates that the equipment must be disposed of in a proper manner.

- The product and /or its components are not to enter the system of landfill sites.
- The product and /or its components are not to be disposed of in domestic household waste.
- The electrical and material parts are to be disposed of as scrap or recycling materials.
- Local waste collection depots are available to advise and dispose of electrical products.
- Batteries which contain liquid acid must be stored and disposed of separately at these depots.
- Please enquire about disposal depots with your local authority.
- Should you require further advice, please contact your supplier or nearest dealer.



## 16.0 Appendix

### 16.1 Specifications: nursing bed

CE certification in accordance with 93/42/EEC

**Storage temperature:** +5°C to +45°C

**Storage humidity:** 30% to 75%

**Max. user weight** \_\_\_\_\_ 140 kg

**Max. working load:**

nursing bed <sup>1)</sup> \_\_\_\_\_ 175 kg

raising mechanism \_\_\_\_\_ 80 kg

**Nursing bed weight:**

*Total weight:*

Casa Med Ultra 4 \_\_\_\_\_ 99.3 kg

Casa Med Classic 4 \_ 107.6 kg

Casa Classic Plus \_\_\_\_\_ 119 kg

*Individual weights:*

mattress support,  
head section \_\_\_\_\_ 17 kg

Mattress support, foot section

3-section \_\_\_\_\_ 14.6 kg

4-section \_\_\_\_\_ 15.0 kg

Mattress support, complete

3-section \_\_\_\_\_ 29.1 kg

4-section \_\_\_\_\_ 32.0 kg

bed rail capping \_\_\_\_\_ 2 kg

bed end, Med Ultra 4 \_\_\_\_\_ 20 kg

bed end, Med Classic 4 \_\_\_\_\_ 25,4 kg

bed end, Classic Plus \_\_\_\_\_ 26 kg

raising mechanism \_\_\_\_\_ 7 kg

control unit \_\_\_\_\_ 1,8 kg

mattress support motor \_\_\_\_\_ 2.1 kg

hand set \_\_\_\_\_ 0.3 kg

**Mattresses to be used <sup>2)</sup>:**

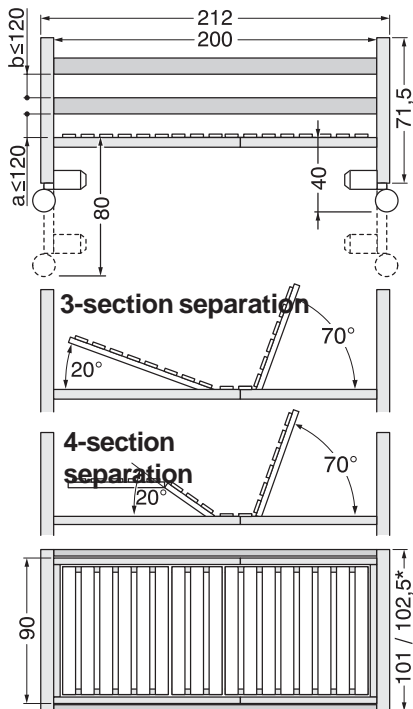
**Dimensions**

(width x length x height):

90x200x10

or \_\_\_\_\_ 90x200x12

**Nursing bed dimensions:**



\*Dimensions for Casa Classic Plus

**Matters weight of unit volume <sup>2)</sup>:**

depending on model \_ 25 - 50 kg/m<sup>3</sup>

Weight \_\_\_\_\_ 6 - 12 kg

<sup>1)</sup> max. working load = max. user weight + 35 kg accessories (mattress, bed linen etc.)

<sup>2)</sup> the mattress is not included in the delivery / all dimensions rounded off and in cm

## 16.2 Specifications: Drive system

Power supply \_ 230 VAC 50 Hz  
 Safety class \_\_\_\_\_ II  
 Ingress protection \_\_\_\_\_ IP44  
 Noise level \_\_\_\_\_ ≤ 65 dB(A)  
 Maximum continuous operation \_\_\_\_\_ 2 minutes  
 Minimum pause after operation \_\_\_\_\_ 18 minutes  
 Lift - lying area motor  
 Head section \_\_\_\_\_ 85 mm  
 Foot section \_\_\_\_\_ 85 mm

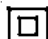
**Operating conditions:**  
 room temperature \_\_\_\_\_ +10°C  
 up to \_\_\_\_\_ +40°C  
 relative humidity \_\_\_\_\_ 30%  
 up to \_\_\_\_\_ 75%


**Storage humidity:** \_\_\_\_\_ 30%  
 to \_\_\_\_\_ 75%

## 16.3 Nursing bed labelling

### 16.3.1 Nameplate


The nameplate is located on the bed end of the nursing bed and contains the following information:

 = Safety class II (double insulated)


 = CE-certification  
 in accordance with 93/42/EWG

 = application part type B

**IP 44** = Ingress Protection (splashproofed)

 = Reference to the operating manual

**AB 2 min/ 18 min** = 2 minutes maximum continuous operation of actuator motors  
 = 18 minutes minimum pause after 2 minutes operation

 = Note for disposal



## 16.3.2 Raising mechanism component sign

The component sign is located on the lower part of the raising mechanism and contains the following information:

- warning information about maximum loading allowable.
- item description
- reference to the operating manual



## 16.4 Accessories

Please contact your **Days Healthcare** dealer to order any articles required.

Description	Order-No.
Urine bottle with holder	03-20-000-000-00
Bed rail protectors, 190 x 39 cm, 1 piece	B4-01-001-050
Transport and storage system	Q1-07-001-001
Triangle with length-adjustable belt	K2-03-001-002
Bed rail, collapsible, beige, right	B3-05-01R
Bed rail, collapsible, beige, left	B3-05-01L

## 16.5 Spare parts

Spare parts can be obtained from your **Days Healthcare** specialist dealer. Only original **Days Healthcare** spare parts may be used (See dealer stamp on reverse of the envelope).

## 17.0 Warranty

**Days Healthcare** gives a guarantee of 24 months perfect functioning within its General Terms and Conditions for the nursing bed.





(Dealer's stamp)



**Days Healthcare UK Ltd**

North Road  
Bridgend Industrial Estate  
Bridgend  
CF31 3TP

(t) + 044 1656 66 47 00

(f) + 044 1656 66 47 50

(e) [info@dayshealthcare.com](mailto:info@dayshealthcare.com)

(w) [www.dayshealthcare.com](http://www.dayshealthcare.com)

a **DCC** company